

WST6010AN

Smart High-Side Power Switch Single Channel, 9mΩ, DFN9×6-14L , AEC-Q100 qualified

Application

- ◆ Suitable for resistive, inductive and capacitive loads
- ◆ Replaces electromechanical relays, fuses and discrete circuits
- ◆ Most suitable for loads with high inrush current, such as lamps
- ◆ Suitable for 12 V and 24 V trucks + trailer and transportation systems

Basic Features

- ◆ Single channel device
- ◆ Very low stand-by current
- ◆ 3.3 V and 5 V compatible logic inputs
- ◆ Optimized electromagnetic compatibility
- ◆ Very low electromagnetic susceptibility

Diagnostic Functions

- ◆ Proportional load current sense
- ◆ High current sense precision for wide range currents
- ◆ Off-state open load detection
- ◆ OUT short to VS detection
- ◆ Overload and short to ground latch-off
- ◆ Thermal shutdown latch-off
- ◆ Very low current sense leakage

Protection Functions

- ◆ Undervoltage shutdown
- ◆ Overvoltage clamp
- ◆ Load current limitation
- ◆ Self limiting of fast thermal transients
- ◆ Protection against loss of ground and loss of VS
- ◆ Thermal shutdown
- ◆ Electrostatic discharge protection

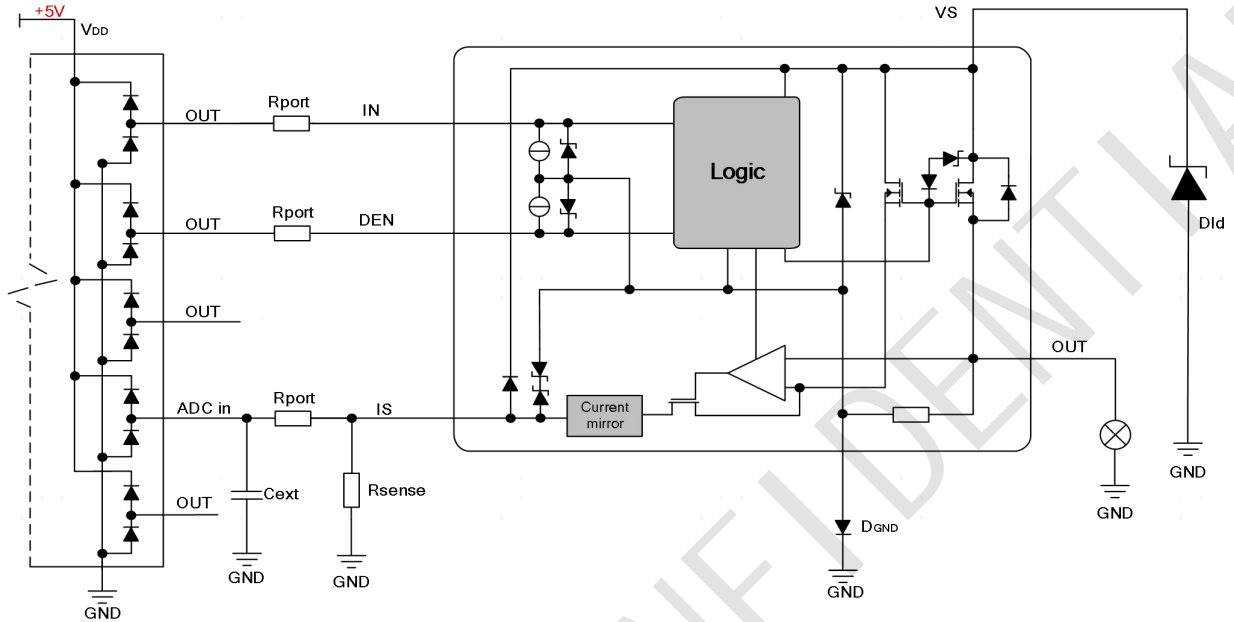
Product Summary

Parameter	Symbol	Value
Max. transient supply voltage	V_S	60V
Operating voltage range	V_{NOM}	8-36V
On-state resistance ($T_j = 25^\circ\text{C}$)	R_{ON}	9mΩ
Nominal load current ($T_j = 25^\circ\text{C}$)	$I_{L(NOM)}$	13A
Typical current sense ratio ($I_{OUT}=4A$)	K	5200
Current limitation	I_{LIMH}	75A
Supply current in sleep	I_{SLEEP}	3uA

Package	DFN9×6-14L
Marking	WST6010AN



Typical Application Circuit



Note1: For D_{GND}, the diode with lower V_F is advisable.